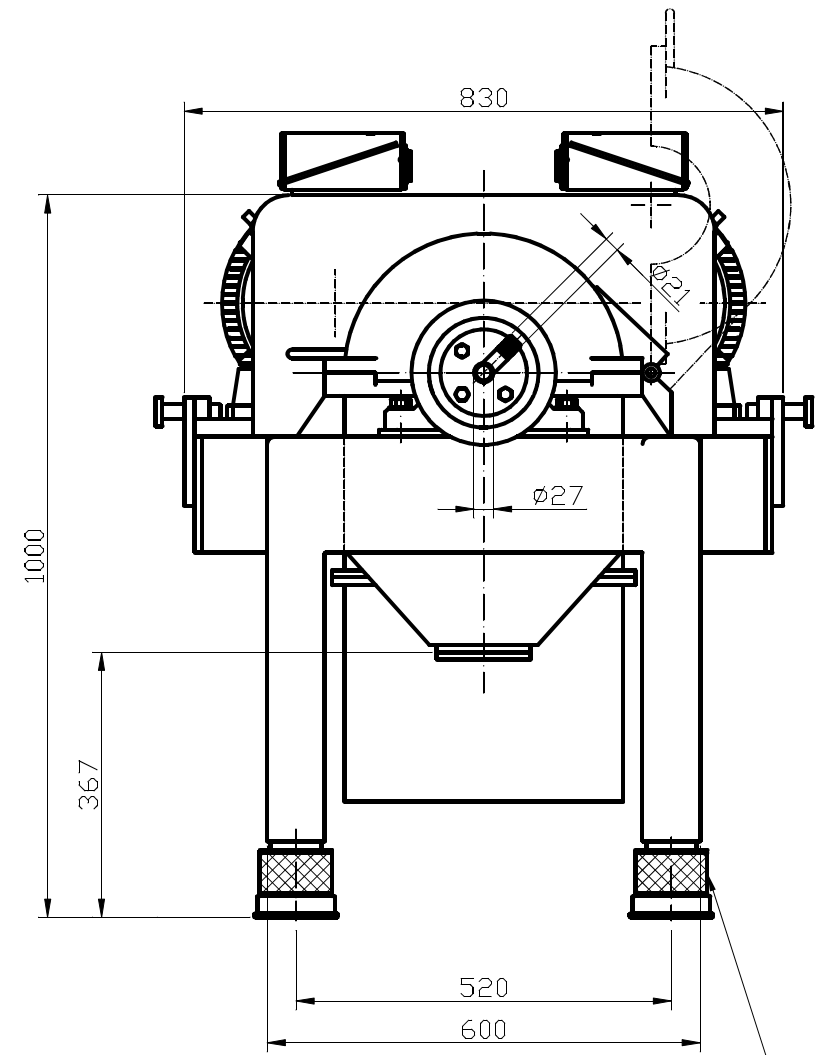
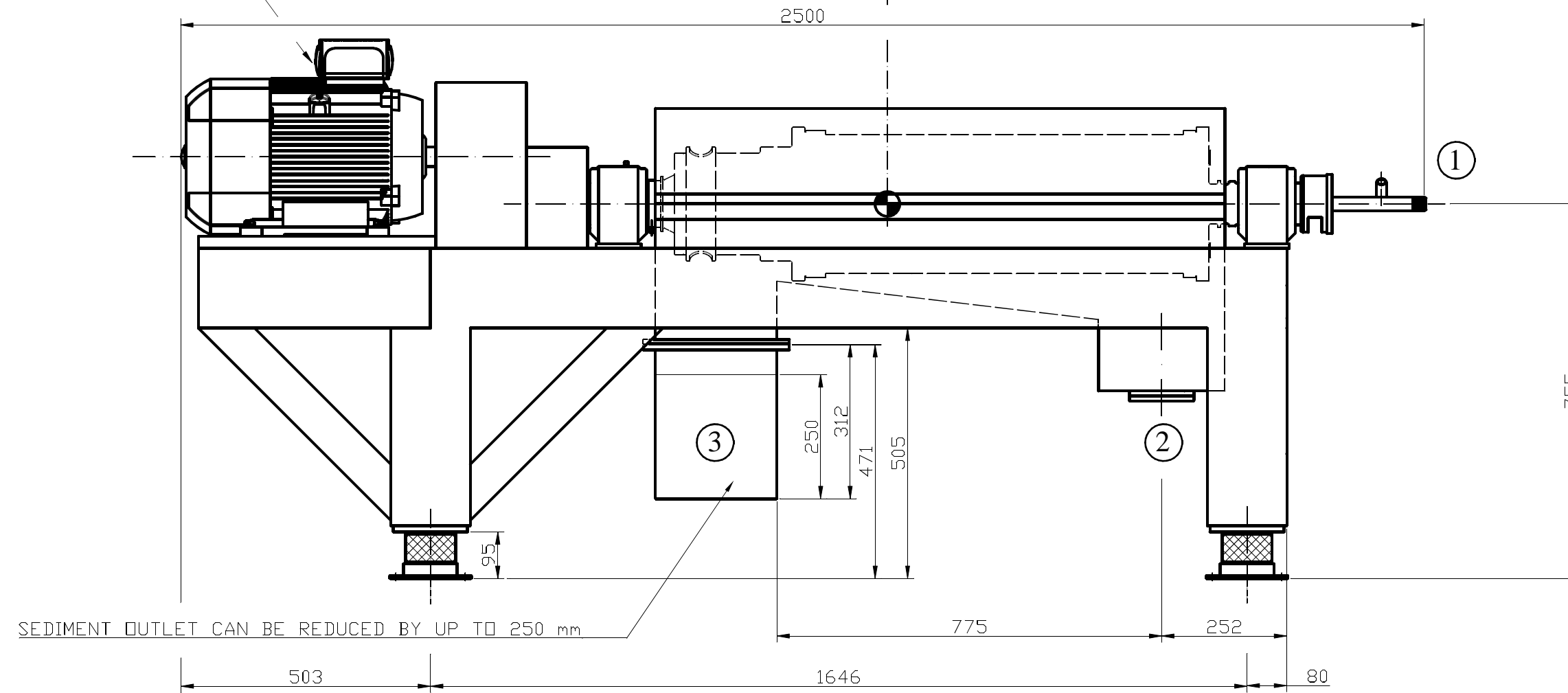


STANDARD COVER
OPENING DIRECTION



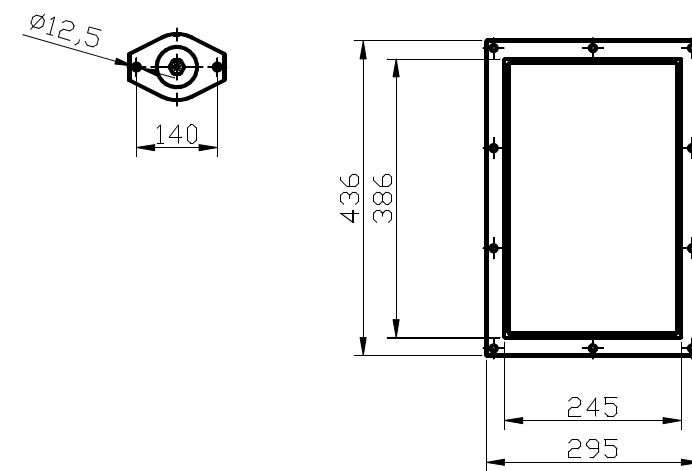
ELECTROMOTOR
TERMINAL BOARD

FOR SERVICING, PLACE LIFTING EQUIPMENT ABOVE THE ROTOR
CENTRE OF GRAVITY - 300 kg LOAD BEARING CAPACITY



SEDIMENT OUTLET CAN BE REDUCED BY UP TO 250 mm

THE CENTRIFUGE SHALL BE INSTALLED ON DAMPERS !!!



WEIGHT:

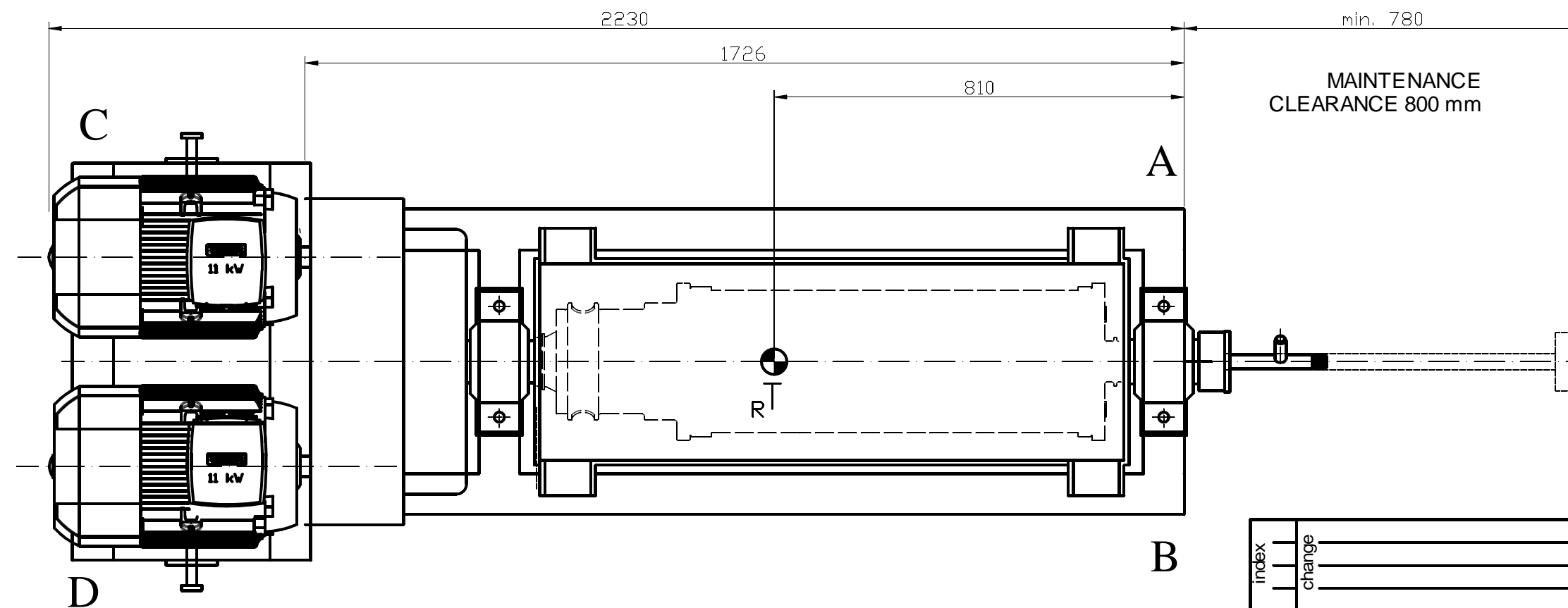
- ROTOR (NET) 250 kg
- COMPLETE CENTRIFUGE 1010 kg

STATIC LOAD IN CORNERS

- A-176 kg B-176 kg
- C-329 kg D-329 kg

ADDITIONAL DYNAMIC LOAD IN CORNERS
AS A PERCENTAGE OF STATIC LOAD

- AT OPERATING SPEED:
 - VERTICAL: 5%, HORIZONTAL 1%
- AT RESONANT SPEED:
 - VERTICAL: 30%, HORIZONTAL 6%



MAINTENANCE
CLEARANCE 800 mm

- ⊙ - SUSPENSION INLET
- ⊙ - FUGATE OUTLET
(THE DELIVERY INCLUDES COUNTER-FLANGE FOR
WELDING OF TUBE WITH 86 mm EXTERNAL DIAMETER
FLANGE MATERIAL IS 1.4301)
- ⊙ - SEDIMENT OUTLET (OUTLET EXTENSION IS INCLUDED
IN THE DELIVERY)
- T_R - ROTOR CENTRE OF GRAVITY

ALL INLET AND OUTLET CONNECTIONS MUST BE
FLEXIBLE!

index	change	date	signature		První brněnská strojírna Velká Bíteš a.s.
inp. mat.	fin. mat.	weight kg	scale		
semiproduct		gross	net 1010	1:1	
aux. dev.		group	note	general tolerances acc. to CSN ISO 2768-m	
prep. by Vostal	std.ref.	type			
tested by	date 2014	old drw. no.			
technologist	appr. by				
title			DECANTING CENTRIFUGE DO 250 2M		
			sheet shts		