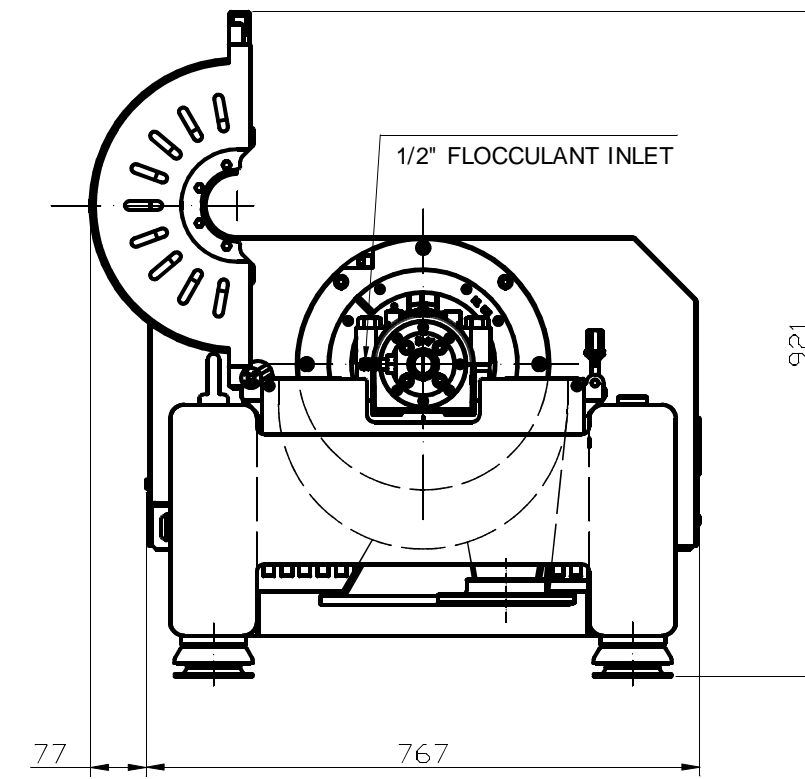
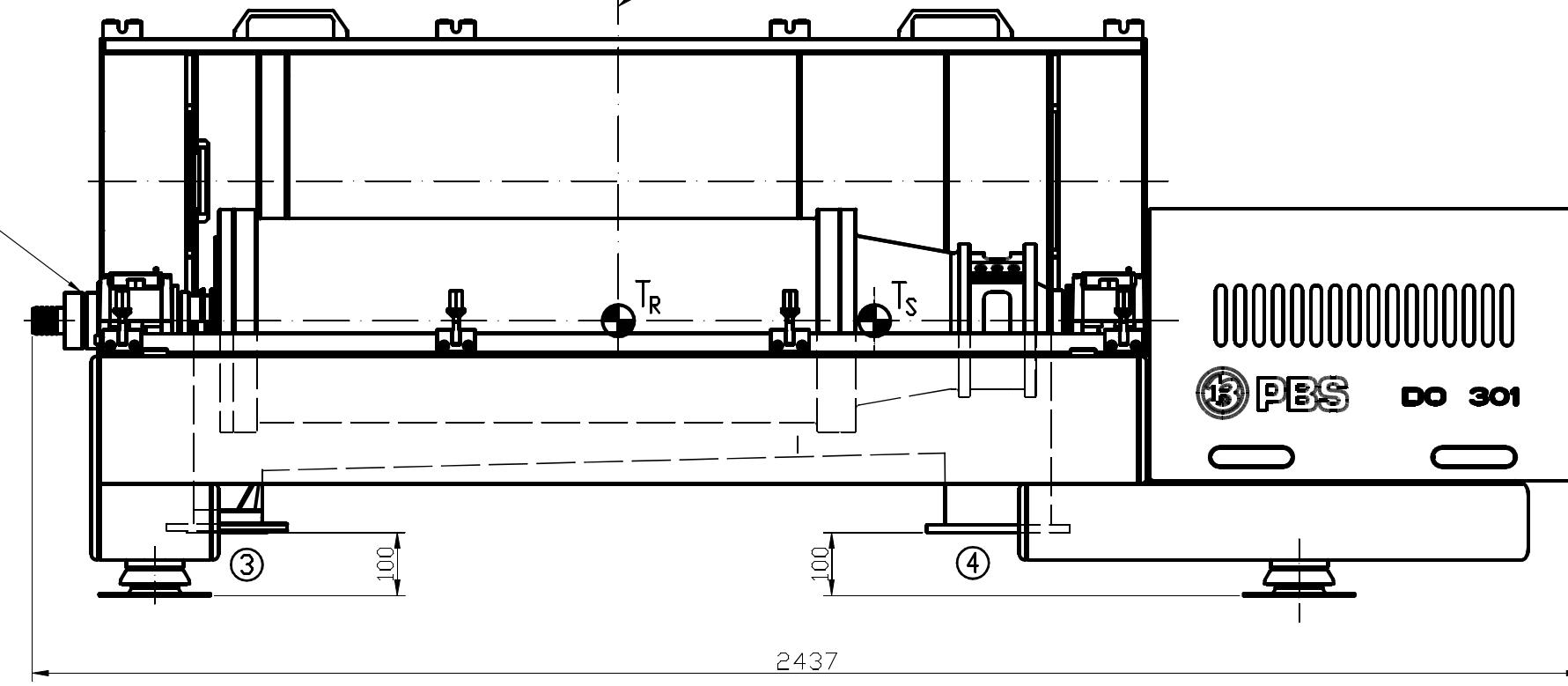
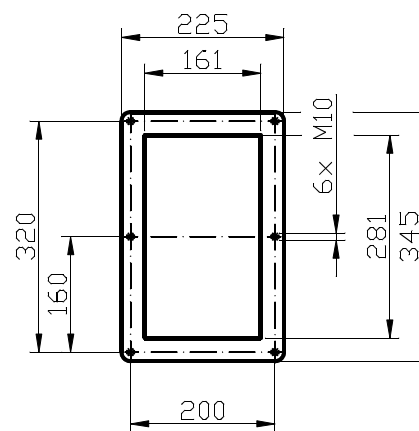
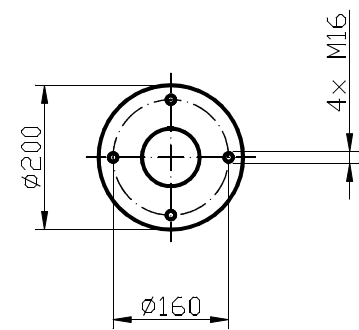


FOR SERVICING, PLACE LIFTING EQUIPMENT ABOVE THE ROTOR CENTRE OF GRAVITY - 500 kg LOAD BEARING CAPACITY

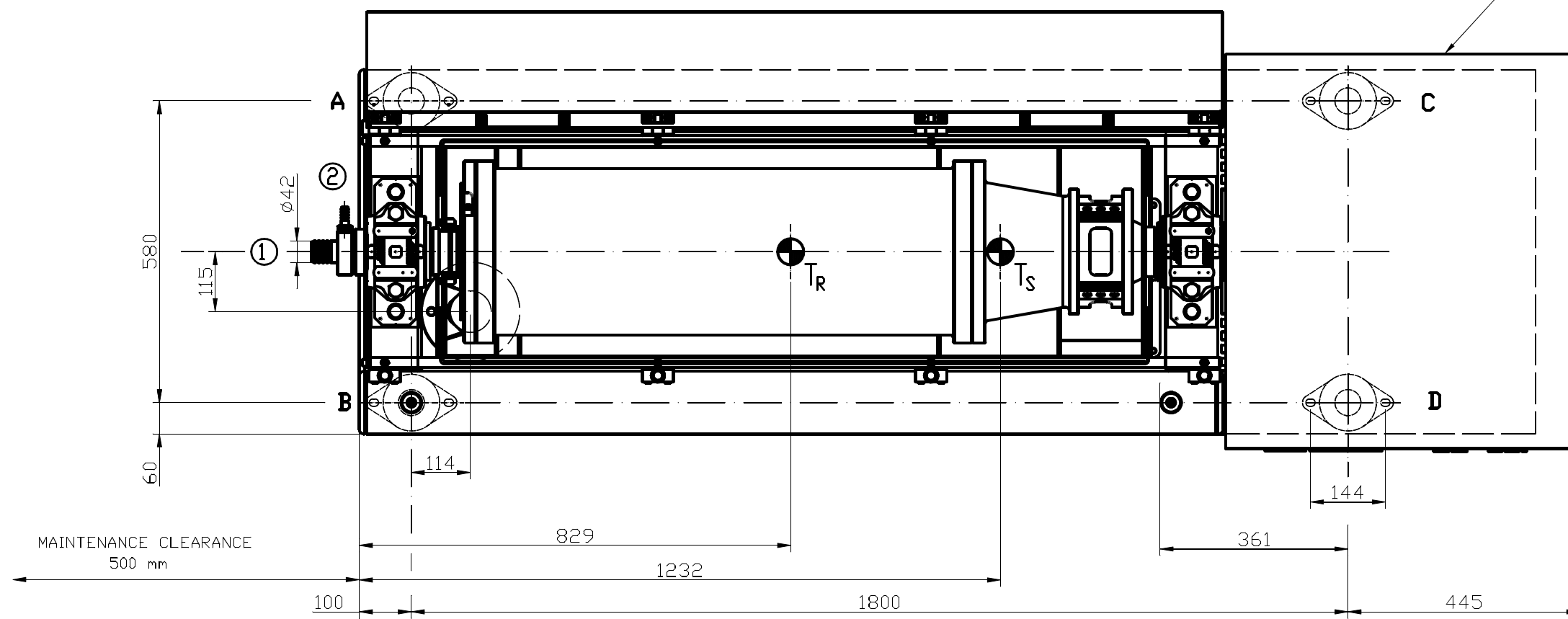
5/4" SLUDGE INLET (HOSE)  
AT FLANGE DN20 PN6



DN80 PN10  
DIN2573



EL. CABLE BUSHINGS  
3x Ø11 to 16 mm



WEIGHT :  
- ROTOR (NET) ..... 270 kg  
- COMPLETE CENTRIFUGE ..... 926 kg

STATIC LOAD IN MOUNTING POINTS:  
A-172 kg B-172 kg  
C-291 kg D-291 kg

ADDITIONAL DYNAMIC LOAD IN MOUNTING POINTS  
AS A PERCENTAGE OF STATIC LOAD  
- AT OPERATING SPEED:  
- VERTICAL: 5%, HORIZONTAL 1%  
- AT RESONANT SPEED:  
- VERTICAL: 30%, HORIZONTAL 6%

- ① - SUSPENSION (SLUDGE) INLET DN20 PN6 DIN2573
- ② - FLOCCULANT INLET 1/2"
- ③ - FUGATE OUTLET - DN80 PN10 DIN2573
- ④ - SEDIMENT OUTLET

T<sub>R</sub> - ROTOR CENTRE OF GRAVITY  
T<sub>S</sub> - MACHINE CENTRE OF GRAVITY

ALL INLET AND OUTLET CONNECTIONS MUST BE FLEXIBLE

index	change	date	signature	První brněnská strojírna Velká Bíteš a.s.	weight kg	scale
inp. mat.	fin. mat.				gross	1:1
semiproduct				net 926		
aux.dev.				group	note	
prep. by Vostal	std.ref.			type	general tolerances	
tested by	date 2015				acc. to ČSN ISO 2768-m	
technologist	appr. by			old drw. no.		
title	DECANTING CENTRIFUGE DO 301			---	sheet	shts