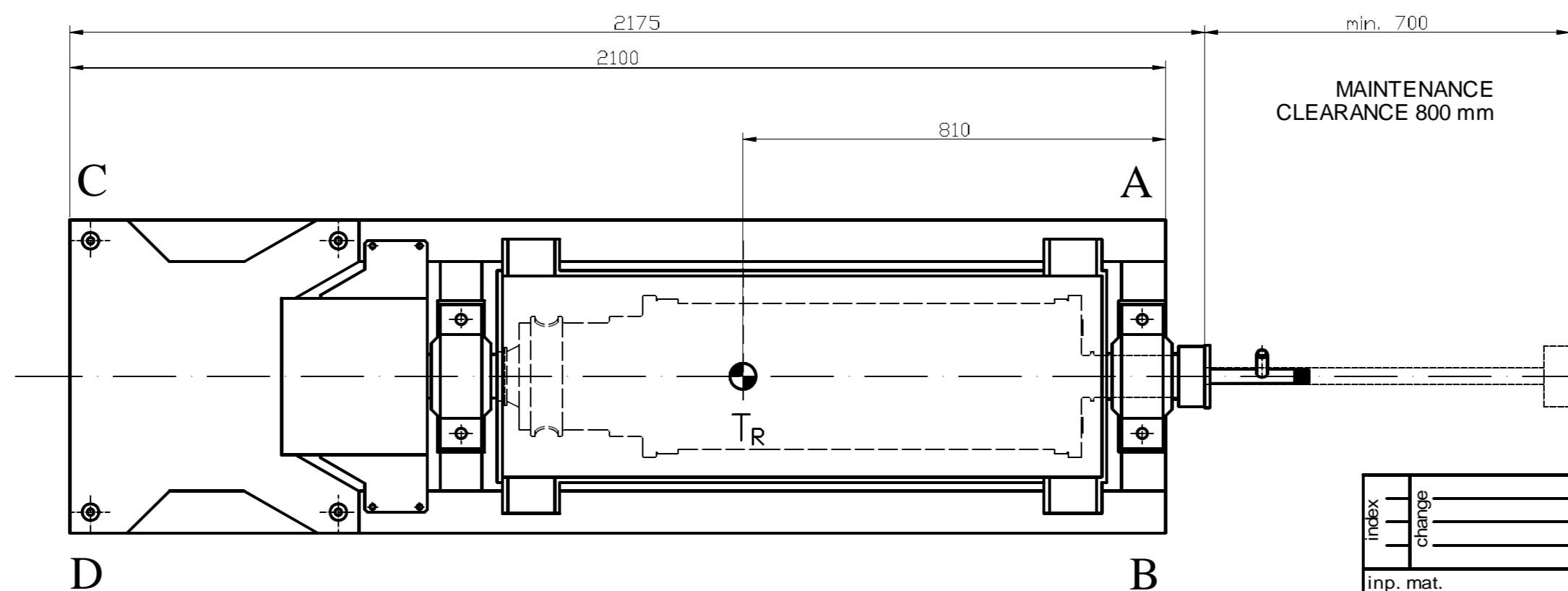
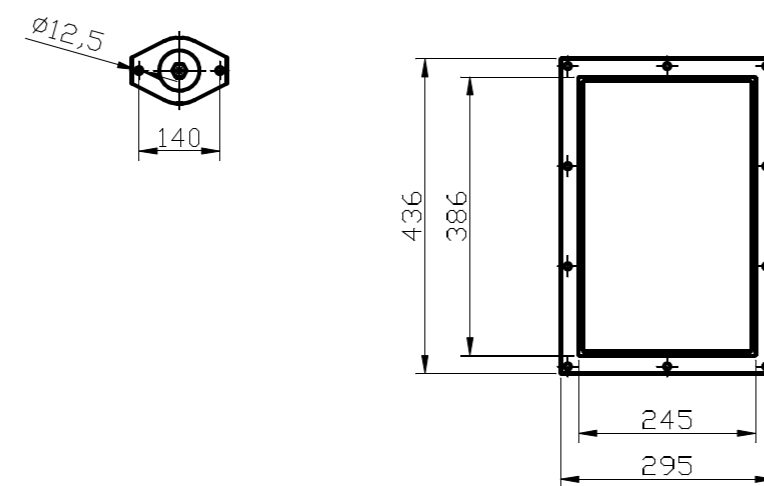
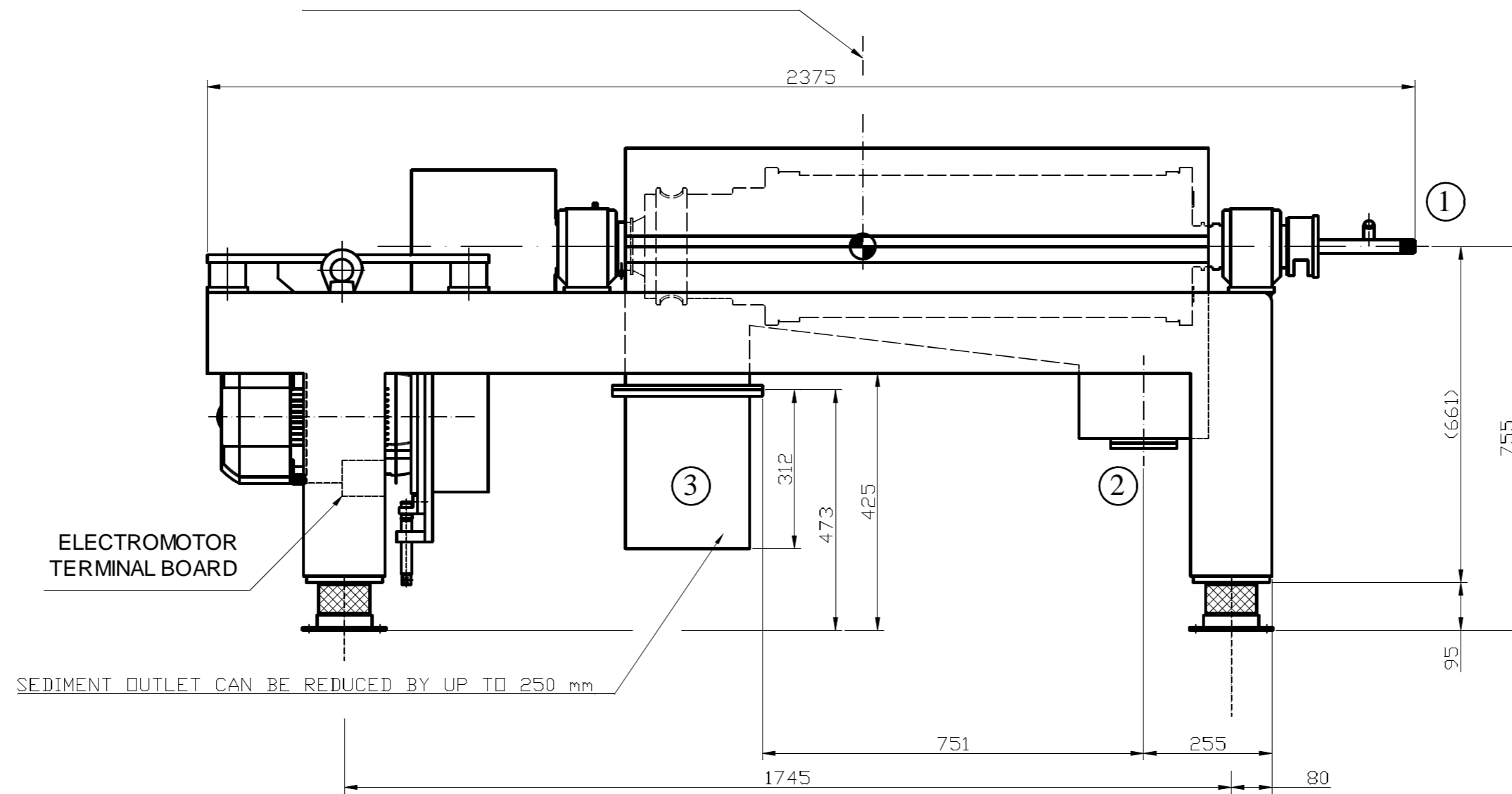


FOR SERVICING, PLACE LIFTING EQUIPMENT ABOVE THE ROTOR
CENTRE OF GRAVITY - 300 kg LOAD BEARING CAPACITY



WEIGHT:

- ROTOR (NET) 250 kg
- COMPLETE CENTRIFUGE 910 kg

STATIC LOAD IN CORNERS:

- A-176 kg B-176 kg
- C-279 kg D-279 kg

ADDITIONAL DYNAMIC LOAD IN CORNERS

AS A PERCENTAGE OF STATIC LOAD

- AT OPERATING SPEED:
 - VERTICAL: 5%, HORIZONTAL 1%
- AT RESONANT SPEED:
 - VERTICAL: 30%, HORIZONTAL 6%/P

- ① - SUSPENSION INLET
- ② - FUGATE OUTLET
(THE DELIVERY INCLUDES COUNTER-FLANGE FOR WELDING OF TUBE WITH 86 mm EXTERNAL DIAMETER FLANGE MATERIAL IS 1.4301)
- ③ - SEDIMENT OUTLET (OUTLET EXTENSION IS INCLUDED IN THE DELIVERY)
- T_R - ROTOR CENTRE OF GRAVITY

ALL INLET AND OUTLET CONNECTIONS MUST BE FLEXIBLE!

index	change	date	signature		První brněnská strojírna Velká Bíteš a.s.
inp. mat.	fin.mat.	weight kg	scale		
semiproduct		gross	net 910	1:1	
aux.dev.		group	note	general tolerances acc. to CSN ISO 2768-m	
prep. by Vostal	std.ref.	type			
tested by	date 2014	old drw. no.			
technologist	appr. by				
title		DECANTING CENTRIFUGE DO 250		- - -	
				sheet	shts